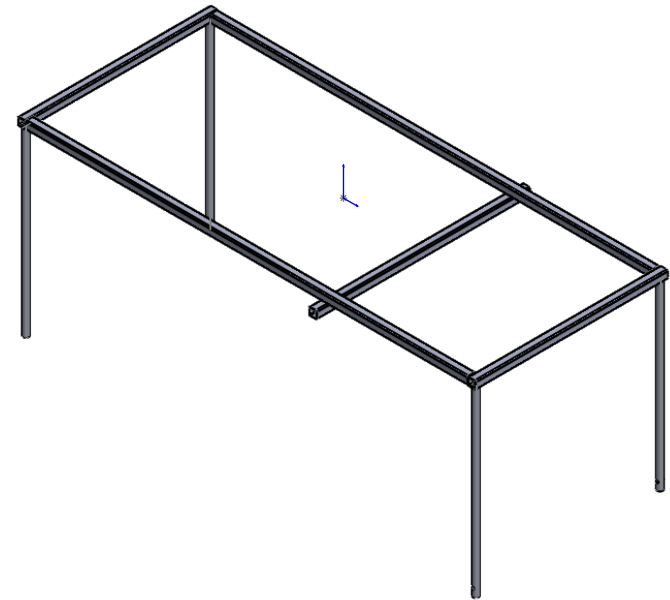
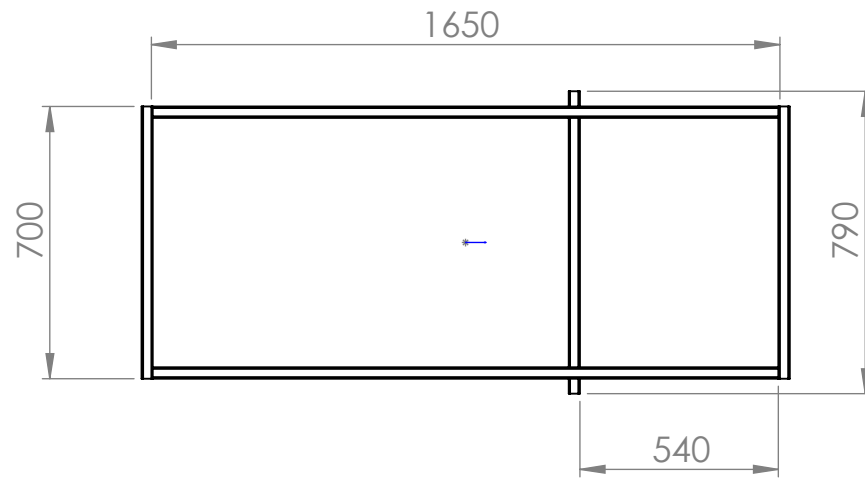


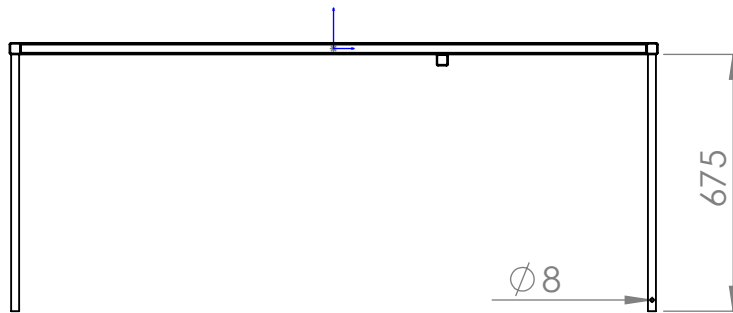
2

1

B



B



A

UNLESS OTHERWISE SPECIFIED:		NAME	DATE	LOW TECH LAB	
DIMENSIONS ARE IN MM		DRAWN		TITLE: STRUCTURE_PANNEAUX SOLAIRES	
TOLERANCES:		CHECKED			
FRACTIONAL $\pm$		ENG APPR.			
ANGULAR: MACH $\pm$ BEND $\pm$		MFG APPR.			
TWO PLACE DECIMAL $\pm$		Q.A.		SIZE PLAN 1 REV	
THREE PLACE DECIMAL $\pm$		COMMENTS:		SCALE: 1:20 SHEET 1 OF 1	
INTERPRET GEOMETRIC TOLERANCING PER:					
MATERIAL					
FINISH					
DO NOT SCALE DRAWING					

A

2

1